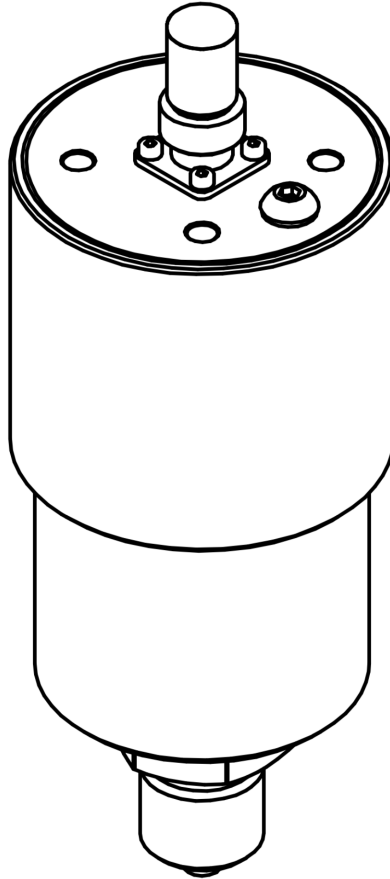


Precision Pressure Transducer APM



Application

Precision measurement of pressure in various processes and systems. Verification (legal calibration) and calibration pressure measurement devices of gauge, absolute, differential or bi-directional pressure.

Special features

- Accuracy: up to 0,01% MV
- Measuring ranges from -0,1 up to 400 MPa
- Pressure type – gauge, absolute or bi-directional
- Possibility of manufacturing transducers with individual measurement ranges
- Easy communication via USB
- Software for control and handle of measuring results
- RS-485 interface with an open protocol for use in customer's systems and devices.
- Different pressure units: MPa, kPa, kgf/cm², bar, psi, mmHg, mmWS and others
- Option: oxygen version
- Working temperature: -10...50 °C
- Compact design

Type of pressure	Measuring range, MPa	Accuracy ⁽¹⁾		
		Standard version	Version (FS-50)	
			(0-100)% FS	(0-50)% FS
Gauge (positive)	from 0 – 0,0025 up to 0 – 0,007	0,02% FS 0,025% FS 0,05% FS	-	-
	from 0 – 0,007 up to 0 – 42	0,01% FS 0,015% FS 0,02% FS	-	-
	from 0 – 0,1 up to 0 – 100	-	0,005% FS 0,0075% FS 0,01% FS	0,01% MV 0,015% MV 0,02% MV
	from 0 – 100 up to 0 – 250	0,02% FS 0,05% FS	-	-
	0 – 400	0,05% FS	-	-
Gauge (negative)	from -0,0025 – 0 up to -0,007 – 0	0,02% FS 0,025% FS 0,05% FS	-	-
	from -0,007 – 0 up to -0,1 – 0	0,01% FS 0,015% FS 0,02% FS	-	-
Bi-directional	from -0,0025 – +0,0025 up to -0,0025 – +0,0045	0,02% FS 0,025% FS 0,05% FS	-	-
	from -0,0025 – +0,0045 up to -0,1 – +100	0,01% FS 0,015% FS 0,02% FS	-	-
	from -0,1 – +1 up to -0,1 – +100	-	0,005% FS 0,0075% FS 0,01% FS	0,01% MV 0,015% MV 0,02% MV
Absolute	from 0 – 0,04 up to 0 – 10	0,01% FS 0,015% FS 0,02% FS	-	-
	from 0 – 0,1 up to 0 – 10	-	0,005% FS 0,0075% FS 0,01% FS	0,01% MV 0,015% MV 0,02% MV
Barometric	0,08 – 0,12	0,01% MV 0,02% MV 0,05% MV	-	-

FS – Measuring range
MV – Measuring value

⁽¹⁾ It is defined by the total measurement uncertainty, with the coverage factor ($k = 2$) and includes the intrinsic performance of the instrument, the measurement uncertainty of the reference instrument, long-term stability, influence of ambient conditions, drift and temperature effects over the compensated range

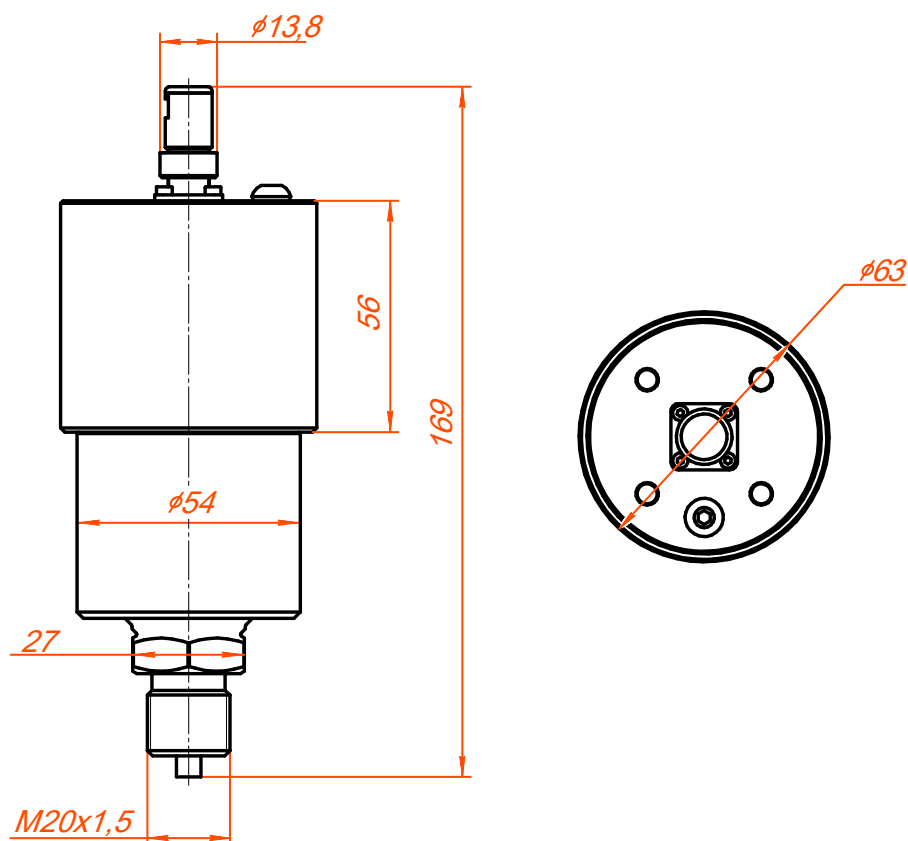


Рис. 1. Precision Pressure Transducer APM.

Approvals

On request.

Scope of delivery

Standard:

– Precision Pressure Transducer APM with specified range and accuracy.

Options:

- Oxygen version
- Interface cable